

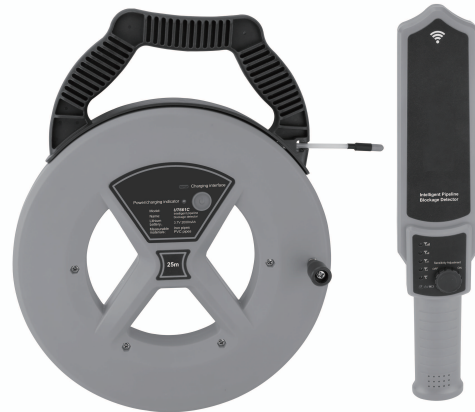
P/N:110401111417X  
MAR. 2022 REV. 1



# UT661C/D

## Pipeline Blockage Detector

### User Manual



## 1. Introduction

Blockages and obstructions in pipelines can result in significant losses in revenue and severe disruption to operations. It is often critical to correctly identify the location of any blockages or obstructions to allow swift remedial actions to be taken.

UT661C/D can quickly locate any blockages or obstructions to avoid large scale overhaul. It is able to penetrate up to 50cm wall with accuracy of  $\pm 5\text{cm}$ .

## 2. Cautions

1. Turn off the device after use.
2. Pull out the probe from the pipe before clearing the pipe.
3. Detecting distance may be shortened slightly for detecting steel pipe.
4. If the green LEDs of transmitter and receiver are lit normally but no voice is present during detection, please replace the probe.

### 3. Power On/Off

**Transmitter:** Long press power button for 1s to power on the device, and short/long press the same button to power off the device. The device will automatically power off after 1 hour. Long press power button for more than 10s to compulsively power off the device.

**Receiver:** Rotate the power switch clockwise until the power indicator turns on to power on the device. And rotate the power switch anticlockwise until the power indicator turns off to power off the device. The device will automatically power off after 1 hour.

### 4. Inspection before Use

Turn on both the transmitter and receiver, rotate the power switch of the receiver clockwise to the end and place it closer to the probe, if the receiver makes a strong buzzing sound, it is in well-condition. If not, take off the plastic cap of the probe to check if it is broken or short circuited.

### 5. Detection

**Note:** Please hold the handle tightly and rotate the wire coil when setting out or collecting the wire.

**Step 1:** Insert the probe into the pipe, extend the probe to the longest length possible, to where the blockage is located.

**Step 2:** Turn on the transmitter and receiver, set the sensitivity of the receiver to MAX by rotating the power switch, then use the receiver to scan from the probe entrance, when the buzzer goes off strongest, mark the point and pull out the probe.

### 6. Sensitivity Adjustment

Users can turn the power switch to increase the sensitivity for blockage detection. Users can use high sensitivity position to locate the approximate range then lower the sensitivity to precisely locate the blockage point:

**Increase sensitivity:** rotate the power switch clockwise;

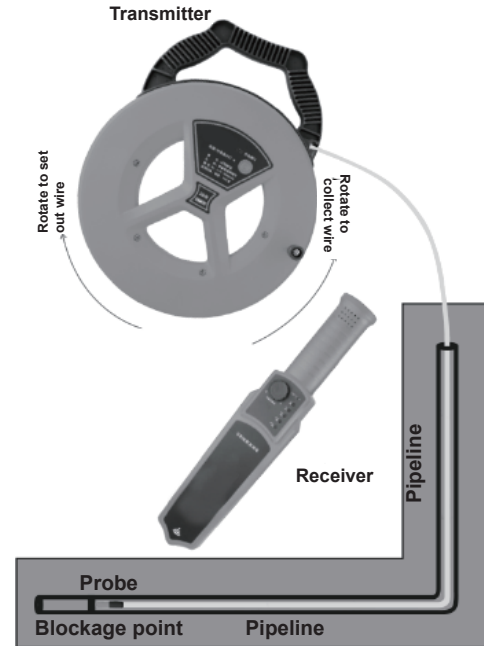
**Decrease sensitivity:** rotate the power switch anticlockwise.

## 7. Power Indicator

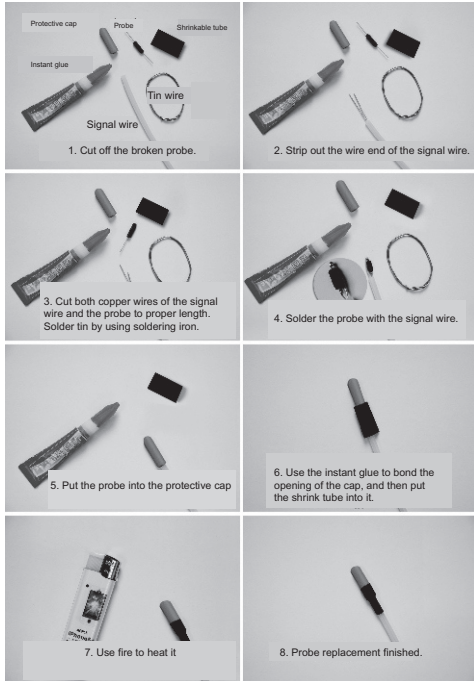
LED	Power
Solid green	Full power; when charging: fully charged
Flashing green	Low power, please charge
Solid red	Charging

- Charge the device by using standard 5V 1A charger with Type-c adapter.
- If not being used for a long time, please fully charge the device and store it in a safe location.
- It is suggested to charge the device once per half year to protect the battery of the device and lengthen lifetime.

## 9. Demonstration



## 10. Probe Replacement



## 11. Specification

Functions	Basic Accuracy	
	UT661C	UT661D
Transmitter	√	√
Signal wire	25m	35m
Receiver	√	√
Maximum detection depth	50cm	50cm
Transmitter current	Shutdown current < 2uA, operating current: 230~310mA	
Receiver current	Shutdown current < 2uA, standby current < 40mA, maximum operating current: 150~450mA (1cm distance)	
Charging current	450~550mA	
Sound (1cm distance)	> 93dB	
Sound (0.5m distance)	> 75dB	
Battery duration	10 hours	
Operating temperature and humidity	-20°C~60°C 10~80%RH	
Measurable pipe materials	Plastic pipes, metal pipes	
Buzzer	√	
Flash	√	
Low battery indication	√	
IP rating	IP 67 (probe)	
<b>General Characteristics</b>		
Transmitter battery	Built-in lithium battery (3.7V 2000mAh)	
Receiver battery	Built-in lithium battery (3.7V 2000mAh)	
Product color	Red & gray	
Standard accessories	Charging cable, probe kit	
Standard individual packing	Gift box, user manual	
Standard quantity per carton	5pcs	
Standard carton measurement	405x90x350mm	

**Note:** The measurement distance refers to the maximum effective distance that can be detected when there is no obstruction between the transmitter and the receiver. If there is a metal or wet object between them, the effective distance will be reduced.

<b>NO.</b>	<b>Item</b>	<b>Quantity</b>	<b>Remarks</b>
1	Transmitter	1	
2	Receiver	1	
3	Charging cable	1	
4	Probe kit	1	Protective cap, probe, tin wire, shrinkable tube
5	Instant glue	1	
6	User manual	1	
7	Lithium batteries	2	Built-in batteries for transmitter and receiver