

SISCO Remote Particle Counter



Function explanation

Easy to operate



Application field

In blood centers, epidemic prevention stations, disease control centers, quality supervision institutions and other authoritative institutions, electronics industry, new energy lithium battery industry, pharmaceutical workshops, semiconductors, optical or precision machining, plastics, painting, hospitals, environmental protection, laboratories, pharmaceuticals, Electronics, color tube manufacturing, microbiology and other production companies and scientific research departments.



Product Details

Data transfer

Via network interface or WIFI connecting LAN (modbus-TCP) data will be uploaded to host computer or connecting MES system Data will be displayed on the enterprise spectulars.



Sensitive induction

Capacitive touch screen data acquisition more steady

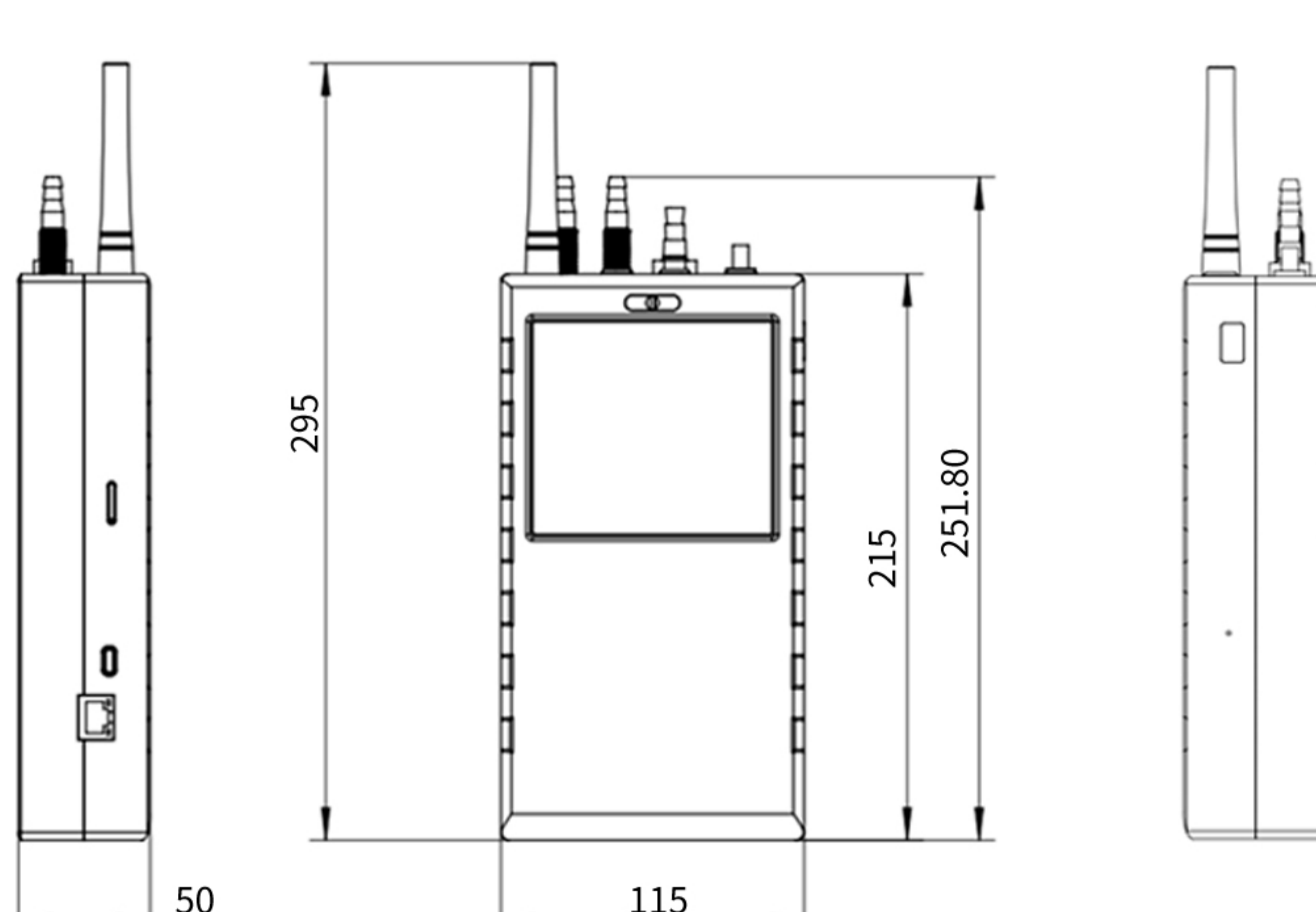


Super long endurance

Built-in 5200 mAh battery for 4 hours non-stop
Standby time 24h
Working time 4h
Charging time 2h



Dimension



Product paramter

Power input	<ul style="list-style-type: none"> Voltage:DC5V,current:1.5A,charging interface:type-C Temperature and humidity: 4-core aviation head; Interface type: 12C (temperature range: -20-60°C Accuracy ±0.5 (0-50°C) Other ±0.5°C Humidity range: 0-100%RH Accuracy ±2%RH (20%-80%) other ±3%RH Power supply voltage: DC3.3V
External sensor interface	<ul style="list-style-type: none"> Dew point: (optional) 5 core aviation head, interface type: TTL (brand choice: 1, Visa Pull DMT143 Range: -70-60°C Accuracy ±2°C 2. Rodronik HC2A-SDP Range: -40-20°C, accuracy ±2°C) Power supply voltage: DC3.3V (12V optional) Wind speed/noise/other gas sensor (optional) 5-core aviation head Interface type: RS485 Power supply voltage: DC3.3V (12V optional)
Data transmission mode	<ul style="list-style-type: none"> Wireless communication:2G,4G,WIFI(optional)+ZGBEE/THREAD Wired communication:RJ45
Particle measuring parameter	<ul style="list-style-type: none"> Particle measuring range:0.3-10µm(0.3µm, 0.5µm, 1.0µm,2.5µm 5.0µm,10µm)accuracy:5% resolution: 1mg/m Particle range: 200000 particles/L
Pressure sensor measuring parameter	<ul style="list-style-type: none"> Pressure range:-500 to +500 Pa 1/4 inch pagoda interface Error range:1% accuracy:±5Pa
monitor cycle time	<ul style="list-style-type: none"> 1-60MIN (Adjustable)
Hardware feature	<ul style="list-style-type: none"> Environmentally friendly flame-retardant plastic shell, the color can be customized, the default is gray. USB TYPE-C interface for charging, debugging and upgrading Power switch indicator Capacitive touch screen 480*480 color LCD display 8G Storage Deaver SIM slot SMA Antenna Connector Standby status 200MA Praticles measurement starts 550MA Weight:800G Dimension:215*114*48MM Working environment:-10°C-60°C 0%-95%RH Storage environment:-20°C-65°C 30%-80%RH
Software feature	<ul style="list-style-type: none"> 4G, LAN network connection platform, WIFI local area network server Support Thread, Zigbee, Lora wireless LAN upload data Large-capacity history storage, 8GB built-in storage Support USB query data (TP assistant) Support for querying historical data on the screen 4G and network cable interfaces support MODBUS RTU protocol to connect to the cloud platform The network port supports modbus TCP server function, And modbus RTU connection server Active report protocol of wireless LAN uses modbus protocol to report actively