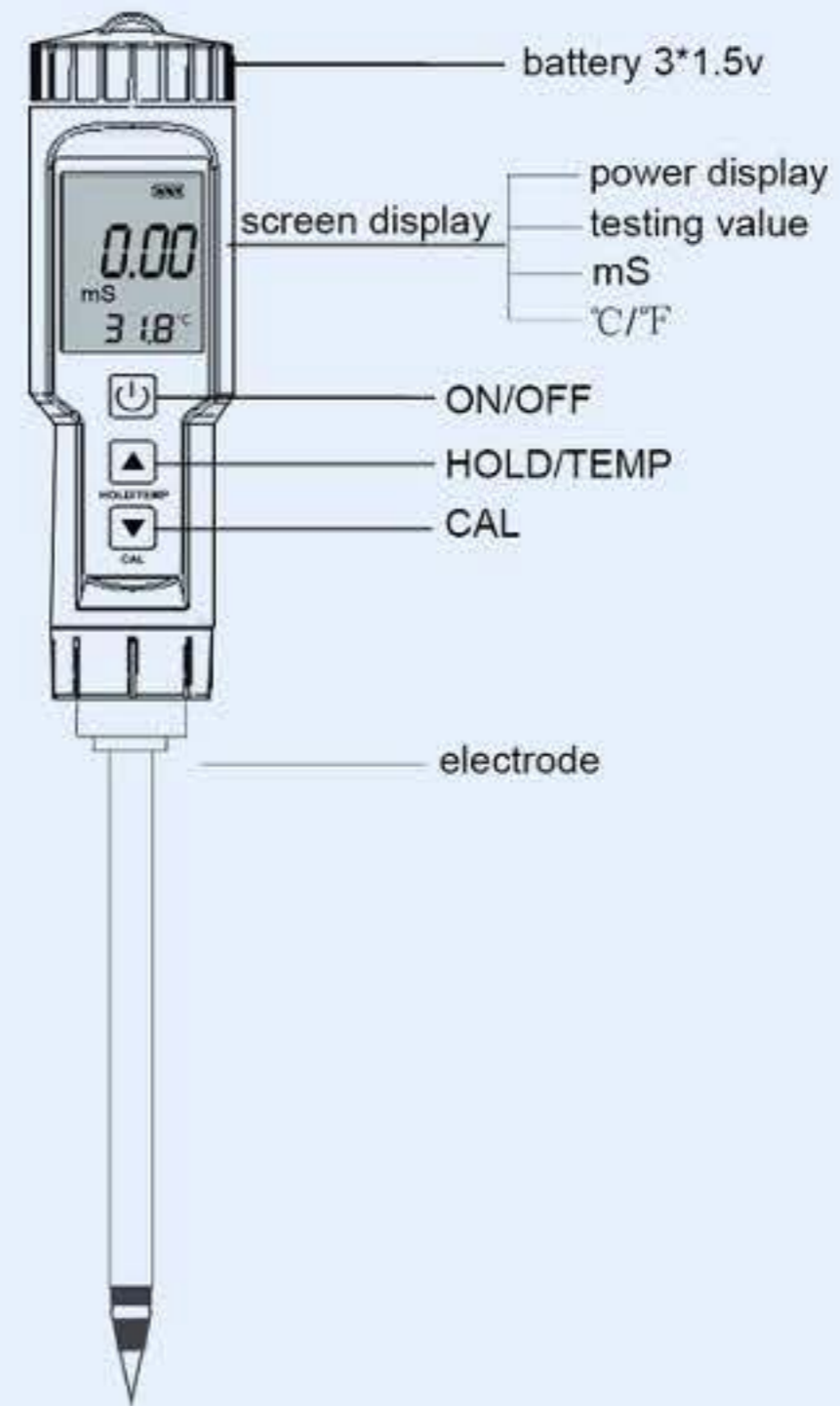


PRESENTATION-----

Portable Soil Moisture Meter with LCD Backlight



OPERATION-----

1. Press the ON/OFF button to turn on the meter
2. Remove the electrode protective cover
3. Insert the electrode into the corresponding depth of the soil to be tested, add appropriate amount of deionized water if necessary.
4. Standing and waiting for the testing value
5. Press the TEMP button to switch between °C and °F
6. After finish test, press the ON/OFF button to turn off the meter, clean the electrode, save it to keep away from pollution.

CALIBRATION-----

1. Turn on the meter, put the long electrode into 1.41mS standard solution, shake it gently, and wait for the value to stabilize. (Noted: When calibrating, we need to keep the meter in our hand, and don't let the electrode touch any objects.)
2. Press CAL button for a while until the screen display CAL, when the value flash enter into the calibration mode, press ▼ to decrease the value, press ▲ to increase the value, adjust the value to 1.41mS, then the value stop flashing, finish the calibration.

PARAMETER-----

SISCO-MM-EC8801		
Range	EC	0.00-10.00mS/cm
	TEMP	-30.0°C-80.0°C
		-22.0°F-176.0°F
Resolution	EC	0.01mS/cm
	temp	0.1°C; 0.1°F
Accuracy	EC	±2%F.S.
	temp	±0.5°C
Calibration	EC	one point (1413us/cm) calibration
Temp ATC	ATC (-30°C-80°C)	
Electrode	Replacement	
Battery power	Low battery warning	
Backlight	Support	
Turn off	Automatic turn off, around 10 min	
Power supply	3*1.5V button battery	
Use environment	-30.0°C-80.0°C RH: max 90%	
Waterproof	IP67	
Size	280*37*37mm(11*1.5*1.5in)	
Weight	105g	

ATTENTION-----

1. Try to avoid collision with hard objects when inserting the electrode into the soil
2. After finish test, clean the electrode and keep it dry
3. When the screen display ---- means out of range.
4. After the low battery alarm, replace the battery in time to ensure the normal use of the product

