

Non-contact Induction Pen Manual

Warning

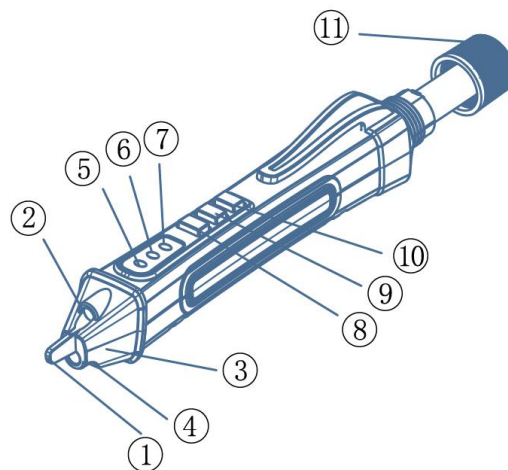
Please read the instruction manual carefully before use, and strictly observe the precautions, cautions, warnings, etc. listed in the safety rules and instruction manual.

Safety instructions

Warning

To avoid possible electric shock or personal injury:

- If the stylus is not used in accordance with the instructions, the protection provided by the stylus may be affected or fail.
- Before using the stylus, test it on a known live power source to ensure that the stylus is in a normal working state.
- When using the stylus, even if there is no display or no audible alarm, voltage may still be present. This stylus indicates the effective voltage when the power supply voltage generates a sufficient strength electrostatic field. If the field strength is weak, the stylus cannot detect the presence of voltage. The presence of voltage may be affected by several factors
- These factors include but are not limited to: shielded wires / cables, thickness and type of insulation, distance from the voltage source, complete insulation, differences in socket design, etc.
- Do not use the product if it is damaged or does not work properly. Before use, check the tip of the probe for cracks or breaks. If you suspect a problem, please send it for repair in time.
- Do not apply more than the rated voltage marked on the stylus. Use caution when testing voltages above 30V AC, as there is a danger of electric shock from such voltages.
- Observe local and national safety codes and use appropriate protective equipment in accordance with local or national regulations.



- ① Probe (NCV sensor head) ② Flashlight ③ Signal indicator ④ Laser pointer
⑤ Strong signal indicator ⑥ Weak signal indicator ⑦ Power indicator ⑧ Power switch
⑨ Sensitivity switch (light on the bottom of the button indicates high sensitivity)
⑩ Lighting and laser switching keys ⑪ Battery negative screw cap



Operation

Turn on/off ()

Press the power button, keep it on for more than 1 second, and beep once. The power indicator lights up and enters the test state; when the power is on, press the power switch to turn off.


High and low sensitivity switching (H / L)

The low-sensitivity test state is defaulted when it is turned on. Press the sensitivity switch to switch between high and low sensitivity. When the sensitivity indicator is on, it is in the high sensitivity test state. When it is off, it is a low sensitivity test state.

Note: High sensitivity range: 12 ~ 1000V

Low sensitivity range: 48 ~ 1000V

Illumination / Laser ()

Press the key  , lightly turn on the light, and lightly turn it off. Long press and hold 2S to turn on the laser pointer; when the laser pointer is on, long press and hold 2S to turn off the laser pointer.

AC voltage detection

The neutral or weak electric field can only trigger the yellow light, and only the hot line can trigger the red light.

When the probe of the stylus is placed near the AC voltage source, the signal indicator will light up. The signal indicators will increase or decrease by the signal intensifying sensed. The yellow light bright with weak signal while the red light bright with strong signal. The beeping chirps also increase or decrease with the signal strength. When the signal is weak, the beep is slow; when the signal is strong, the beep is rapid.

Note: When it is necessary to distinguish the neutral line and live line, if the neutral and live line is close, try to separate the two lines as much as possible; if it cannot be separated, you can distinguish according to the strength of the detected signal. The strong one is the live line. The weak signal is the neutral line.

Automatic shut-down

After no induction signal or any operation for about 5 minutes, the test pen will automatically shut down to extend battery life.

Under voltage alert

When the voltage drops below about 2.4V, the test pen will automatically shut down. Before shutting down, the buzzer beeps three times, and the red light flashes three times. Please replace the battery immediately after this happens.



Technical Parameters

Measuring range:

AC voltage: 12-1000V 50/60Hz

Use environment:

Operating temperature: 0 ~ 40 degrees

Storage temperature: -10 ~ 50 degrees

Humidity: ≤95%

Altitude: ≤2000 meters

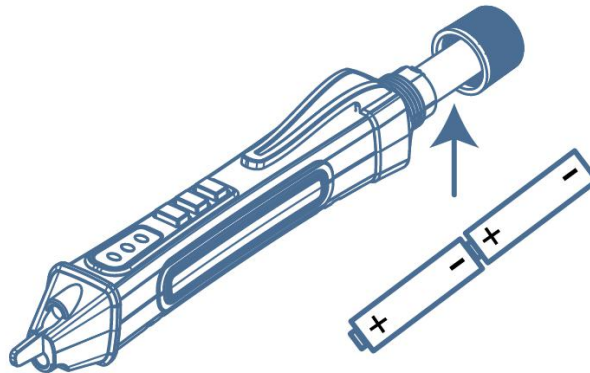
Safety level: CAT. III 1000V

CAT. IV 600V, CE

Power: 2 × 1.5V AAA battery

Replacement battery

Rotate the battery cover as shown below, then take out the old battery and insert the new battery according to the positive and negative battery indications.



Warning

To avoid electric shock, do not use a stylus for voltage detection until the battery cover is locked.

Cleaning

Clean with a damp cloth. Note: Do not use the pen until it is completely dry after cleaning.

FAQ

1. Problems with static electricity

- ① After the electric pen is turned on, it will make a few sounds when placed on the table.
- ② After the electric pen is turned on, it will also beep if it is quickly swept through the air.
- ③ After the electric pen is turned on, it will cause false alarm if it rubs on hair or clothes. The above problems are caused by static electricity, which is a normal phenomenon. Any alarm caused by static electricity can only be called 1-2 times at a time.

2. Coupling Signals

- ① The mobile phone charging line is a low-voltage DC. Why would it report an alarm?
- ② Electric appliances with metal casings will also have an alarm (no grounding). This is because the switching power supply or the common frequency signal is coupled to the wires or the casing. This is normal.